



**FLORIDA PRODUCT APPROVAL**

**PBR 26GA ROOF PANEL**

**36" WIDTH OVER PLYWOOD**

**FLORIDA PRODUCT APPROVAL NO 21383**

**Product Evaluation Report**

***PBR 26GA Roof Panel over 15/32" Plywood***

**Florida Product Approval# 21383**

**Florida Building Code 2017 Per Rule 61G20-3**

**Method: 1-D**

**Category: Roofing Subcategory: Metal Roofing**

**Compliance Method: Rule 61G20-3**

**NON-HVHZ**

**Product Manufacturer:**

**Sunlast Metal  
2120 SW Poma Drive  
Palm City, Florida 34990**

**Engineer Evaluator**

**Diane G. Marotta P.E. FL#82591  
1915 NE 45<sup>th</sup> ST.#107  
Fort Lauderdale, FL 33308  
954-776-8004**

**Validator:**

**Locke Bowden, P.E. FL#49704  
9450 Alysbery Place  
Montgomery, AL 36117**

**Certificate of Independence:** Diane G. Marotta, P.E. does not have nor will acquire financial interest in any company manufacturing or distributing products under this evaluation.

Diane G. Marotta, P.E. is not owned, operated or controlled by any company manufacturing or distributing product under this report.

**Diane G. Marotta, P.E.  
FL reg # 82591  
seal**



**Compliance Statement:** The product as described in this report has demonstrated compliance with the Florida Building Code 2017, Sections 1504.3.2, 1507.4.3, 1507.1.1

**Product Description:** 26GA Steel PBR Panel, .36" Widths, Roof panels 40ksi

Panel restrained with fasteners over 15/32" APA Plywood decking or wood plank (MIN. GRAVITY OF 0.42) over supports @ 24" O.C. Non-structural Application.

**Material:** .26ga steel conforming to Florida Building Code 2017 Section 1507.4.3

Corrosion Resistance: Panel Material shall comply with Florida Building Code 2017, Section 1507.4.3

**Panel Dimensions: Panel Widths:** 36" width panels Rib height: 3/4"

**Roof Clip Fastener:** #9x1-1/2" Hex-head Wood screw Corrosion Resistant per Florida Building Code 2017 Section 1506 3/16" minimum penetration through bottom of plywood . Corrosion Resistance: Per Florida Building Code 2017, Section 1506, Plywood supports at maximum 24' O.C. Design of plywood and plywood supports are outside the scope of this evaluation. Must be designed in accordance w/ Florida Building Code 2017.

**Design Uplift Pressures:** Uplift Design Pressure: with Safety Factor of 2

-76.75PSF 24" FASTENING PATTERN 6"-9"-9"-9"-3"

ALONG THE ROW, ACROSS THE PANEL PROFILE

**Reference:** TAS 125-03 - Report # 0412-0908-07 by Architectural Testing, Inc. an Intertek Company, West Palm Beach Facility. TST # 1527

**Code Compliance:** The product described herein demonstrated compliance with The Florida Building Code (FBC) 2017 Section 1504 The product evaluation is limited to compliance with the structural wind load requirements of the FBC 2017, as relates to Rule **61G20-3**.

**Minimum Slope Range** Slope per Florida Building Code 2017 6<sup>TH</sup> ED., and in accordance with Manufacturers recommendations.

**Installation:** Install per manufacturer's recommended details.

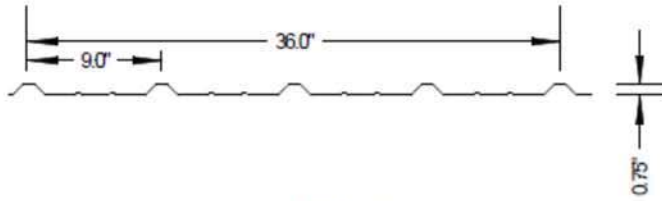
**Underlayment:** Per Manufacturer's installation guidelines per Florida Building Code 2017, CHAPTER 1507, CHART 1507.1.1

**Roof Panel Fire Classification:** No classification.

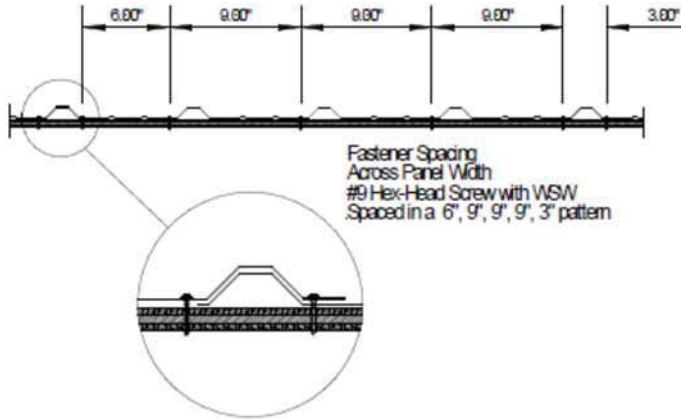
**Shear Diaphragm:** values are outside the scope of this report.

**Design Procedure:** Based on the dimensions of the structure, applicable wind loads are determined using Chapter 16 of the Florida Building Code 2017 for roof cladding wind loads. These component wind loads for roof cladding are compared to the allowable pressure listed above. The design professional shall select the applicable erection details to reference in drawings for correct fastener attachment to his structure and analyze the panel fasteners for pullout and pullover. Support framing must be compliant with Florida Building Code 2017 Chapter 22 for steel, Chapter 23 for wood and Chapter 16 for structural loading.

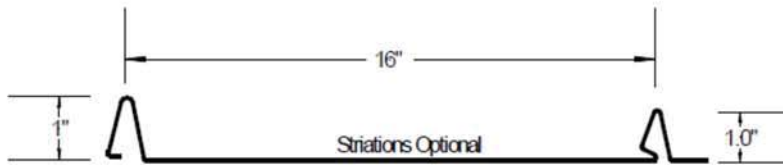
## "PBR" (26 Gauge)



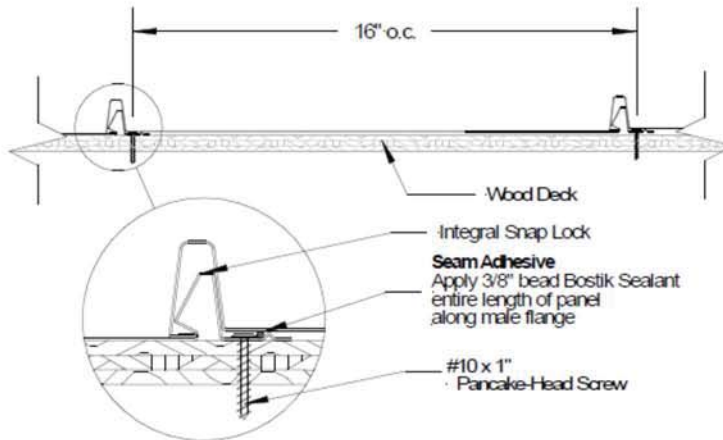
"PBR" Panel  
Typical Panel Profile View



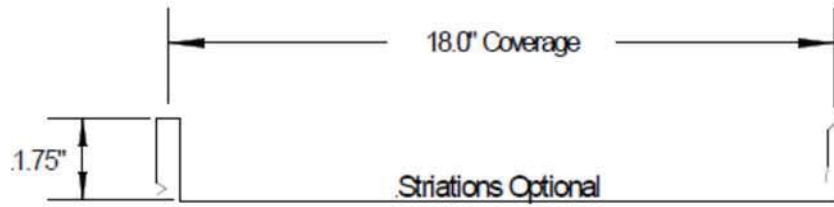
## 1.0 Nail Strip



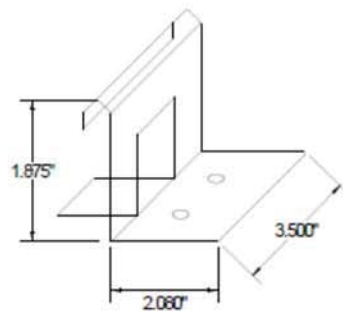
"1" Nail Strip" Panel  
Typical Panel Profile View



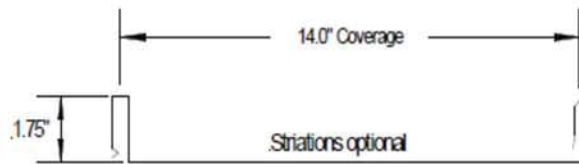
## 1-3/4" Snap Lock Aluminum



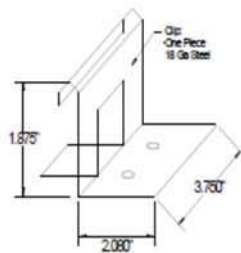
"1-3/4" Snap-Lock" Panel  
Typical Panel Profile View



## 1-3/4" Snap Lock

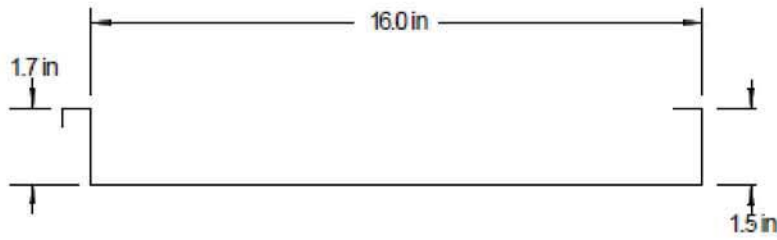


"1-3/4" Snap-Lock" Panel  
Typical Panel Profile View

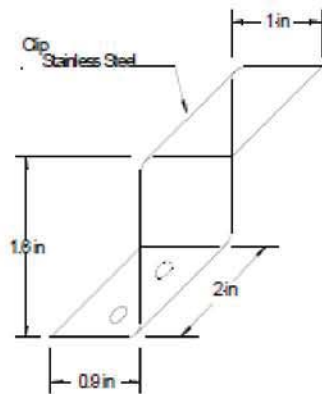


Fastener: #10x 1-1/2" Pancake Head (2) per clip

## Copper Clad Panel



"copper clad stainless" Panel  
Typical Panel Profile View



## 5 V Crimp

