



**FLORIDA PRODUCT APPROVAL**

**ECONO LINE ( CLIPLESS NAIL STRIP/SNAP LOCK )**  
26 GA – 16" COVERAGE WIDTH ROOF PANEL OVER 15/32" PLYWOOD  
FLORIDA PRODUCT APPROVAL NO 21383.1

**SERIES**

Product Evaluation Report

**1" CLIPLESS NAIL STRIP 26GA Roof Panel over 15/32" Plywood**

**Florida Product Approval # 21383.1**

Florida Building Code 2017 Per Rule 61G20-3

Method: 1 -D

Category: Roofing Subcategory: Metal Roofing Compliance Method:  
Rule 61G20-3  
NON-HVHZ

**Product Manufacturer:**

Sunlast Metal  
2120 SW Poma Drive Palm City, Florida 34990

**Engineer Evaluator**

Diane G. Marotta, P.E. # 82591  
1915 NE 45<sup>th</sup> ST. #107  
Fort Lauderdale, FL 33308  
954-776-8004

**Validator:**

Locke Bowden, P.E., FL #49704  
9450 Alysbery Place  
Montgomery, AL 36117

Evaluation Report 1-4

**Certificate of Independence:** Diane G. Marotta P.E. does not have nor will acquire financial interest in any company manufacturing or distributing products under this evaluation. Diane G. Marotta, P.E. is not owned or operated or controlled by any company manufacturing or distributing product under this report.

Diane G. Marotta, P.E.  
FL reg # 82591  
seal



**Compliance Statement:** The product as described in this report has demonstrated compliance with the Florida Building Code 2017, Sections 1504.3.2, 1507.4.3,

**Product Description:** 26GA Nail Strip/Snap Lock Metal Panel, 16" Coverage Width, Roof panels, 1.0" Rib height  
Panel restrained with #10 x 1" Pancake Head fasteners into 15/32" 4 ply CDX Plywood decking.  
Non-structural Application.  
FOR USE IN NON-HVHZ.

**Material:** 26GA metal conforming to Florida Building Code 2017 Section 1507.4.3 Yield Strength: 40KSI  
Corrosion Resistance: Panel Material shall comply with Florida Building Code 2017, Section 1506, 1507, 1507

**Panel Dimensions: Panel Width:** 16" coverage width

**Fastener:** #10 X 1" Pancake-Head wood fasteners or equivalent. Corrosion Resistant per Florida Building Code 2017 Section 1506.7. 3/16" minimum penetration through plywood  
Corrosion Resistance: Per Florida Building Code 2017, Section 1506, 1507  
15/32" 4ply CDX plywood, plywood supports at maximum 24' O.C. Design of plywood and plywood supports are outside the scope of this evaluation. Must be designed in accordance w/ Florida Building Code 2017.

**Design Uplift Pressures:** Uplift Design Pressure: with Safety Factor of 2

|                               |  |
|-------------------------------|--|
| <b>TABLE A</b>                |  |
| <b>Max Design Pressure</b>    | <b>-71psf</b>  |
| <b>Field Fastener Spacing</b> | <b>6" from panel ends and 6" o.c.</b>  |
| <b>Fastener Size</b>          | <b>#10 Female leg of panel snap fit to the male leg of the adjacent panel, fastened 2"o.c. at perimeter #10 fastener</b> |

**Quality Assurance:** In accordance with FBC 2017 and Rule # 61G20-3: Keystone Certification, Inc. QUA 1824

**Test References:**

Architectural Testing Inc (TST 1527) # F8542.01-450-44 UL 580-06 and f8542.01-450-44r0-3 UL 580-06

**Code Compliance:** The product described herein demonstrated compliance with The Florida Building Code (FBC) 2017 Section 1504. The product evaluation is limited to compliance with the structural wind load requirements of the FBC 2017, as relates to Rule **61G20-3**.

**Slope Range** 2/12 Minimum Slope and in accordance with Manufacturers recommendations. Install per manufacturer's recommended details in compliance with FBC 2017.

Manufacturer's installation guidelines per Florida Building Code 2017, sec 1507, **CHART 1507.1.1**

**Fire Classification:** No classification.

**Shear Diaphragm:** values are outside the scope of this report.

**Design Procedure:** Based on the dimensions of the structure, applicable wind loads are determined using Chapter 16 of the Florida Building Code 2017 for roof cladding wind loads. These component wind loads for roof cladding are compared to the allowable pressure listed above. The design professional shall select the applicable erection details to reference in drawings for correct fastener attachment to his structure and analyze the panel fasteners for pullout and pullover. Support framing must be compliant with Florida Building Code 2017 Chapter 22 for steel, Chapter 23 for wood and Chapter 16 for structural loading. Required wind loads shall be determined per project per FBC 2017 and any rational analysis computation shall be prepared by a licensed design professional.

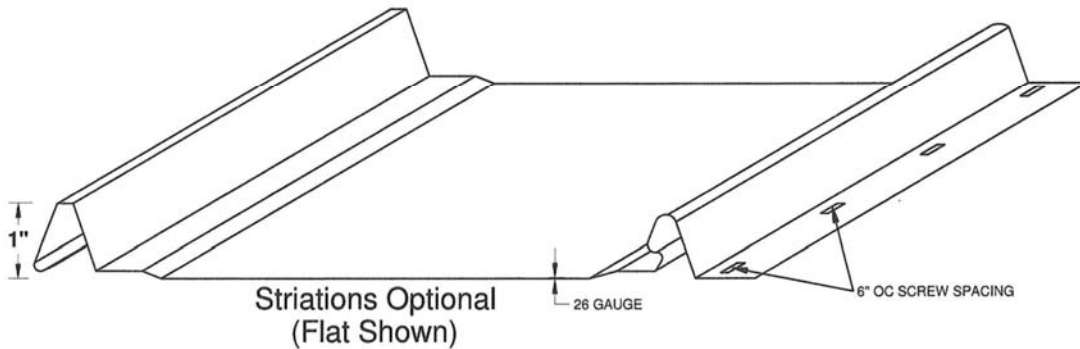
**Certificate of Independence:** Diane G. Marotta P.E. does not have nor will acquire financial interest in any company manufacturing or distributing products under this evaluation. Diane G. Marotta, P.E. is not owned or operated or controlled by any company manufacturing or distributing product under this report.

**INSTALL DETAILS**

**Fastener: # 10 Pancake Head Wood Fastener**

**Sunlast Econo 1" Clipless  
 PANEL PROFILE**

|              |                 |
|--------------|-----------------|
| Report #:    | FE142.05-450-44 |
| Date:        | 7/26/16         |
| Verified by: | [Signature]     |



**Sunlast Econo 1" Clipless  
 PANEL PROFILE**

|              |                 |
|--------------|-----------------|
| Report #:    | FE142.05-450-44 |
| Date:        | 7/26/16         |
| Verified by: | [Signature]     |

