



FLORIDA PRODUCT APPROVAL

ECONO LINE (0.032 ALUM CLIPLESS NAIL STRIP)
16" COVERAGE WIDTH ROOF PANEL OVER 15/32" PLYWOOD
FLORIDA PRODUCT APPROVAL NO 21383.2

SERIES

Product Evaluation Report

1" CLIPLESS NAIL STRIP-SNAP LOCK 0.032 ALUM Roof Panel over 15/32" Plywood

Florida Product Approval # 21383.2

Florida Building Code 2017 Per Rule 61G20-3

Method: 1 -D

Category: Roofing Subcategory: Metal Roofing Compliance Method:
Rule 61G20-3

NON-HVHZ

Product Manufacturer:

Sunlast Metal

2120 SW Poma Drive Palm City, Florida 34990

Engineer Evaluator

Diane G. Marotta, P.E. #82591

1915 NE 45th ST. #107

Fort Lauderdale, FL 33308

954-776-8004

Validator:

Locke Bowden, P.E., FL #49704

9450 Alysbery Place

Montgomery, AL 36117

Certificate of Independence: Diane G. Marotta P.E. does not have nor will acquire financial interest in any company manufacturing or distributing products under this evaluation. Diane G. Marotta, P.E. is not owned or operated or controlled by any company manufacturing or distributing product under this report.

Diane G. Marotta, P.E.
FL reg. # 82591
seal



Compliance Statement: The product as described in this report has demonstrated compliance with the

Florida Building Code 2017, Sections 1504.3.2, 1507.4.3, 1507.4.4

Product Description: 0.032 ALUM Clipless Nail Strip Metal Panel, 16" Coverage Width, Roof panels, 1.0" Rib Height
Panel restrained with #10 x 1" Pancake Head fasteners into 15/32" 4-PLY CDX Plywood decking.
Non-structural Application.
FOR USE IN NON-HVHZ.

Material: .032 ALUM conforming to Florida Building Code 2017 Section 1507.4.3
Corrosion Resistance: Panel Material shall comply with Florida Building Code 2014, Section 1506, 1507, 1507

Panel Dimensions: Panel Width: 16" coverage width **Fastener:** #10 X 1" Pancake-Head wood fasteners or equivalent.
Corrosion Resistant per Florida Building Code 2017 Section 1506.7. 3/16" minimum penetration through plywood
Corrosion Resistance: Per Florida Building Code 2017, Section 1506, 1507
15/32" 4-PLY CDX plywood, plywood supports at maximum 24' O.C. Design of plywood and plywood supports are outside the scope of this evaluation. Must be designed in accordance w/ Florida Building Code 2017.

Max Design Pressure -78.5psf design pressure includes safety factor of 2	
Field Fastener Spacing 6" from panel ends and 6" o.c.	
Fastener Size #10 fastened 6" o.c at seams	* SEALANT applied continuously to both sides of each seam Bostik 70-05A

Quality Assurance: In accordance with FBC 2017 and Rule # 61620-3: Keystone Certification, Inc. QUA 1824

Test References:
Architectural Testing Inc -Test UL 580-06 # G1899.01-450-18 and G1899.01-450-18-r0

Code Compliance: The product described herein demonstrated compliance with The Florida Building Code (FBC) 2017 Section 1504.3.2. The product evaluation is limited to compliance with the structural wind load requirements of the FBC 2017, as relates to Rule **61G20-3**.

Minimum Slope Range 2/12 Minimum Slope per Florida Building Code 2017, and in accordance with Manufacturers recommendations.

Installation: Install per manufacturer's recommended details in compliance with FBC 2017.
Underlayment: Per Manufacturer's installation guidelines per Florida Building Code 2017 sec 1507, CHART 1507.1.1
Roof Panel Fire Classification: No classification.
Shear Diaphragm: values are outside the scope of this report.

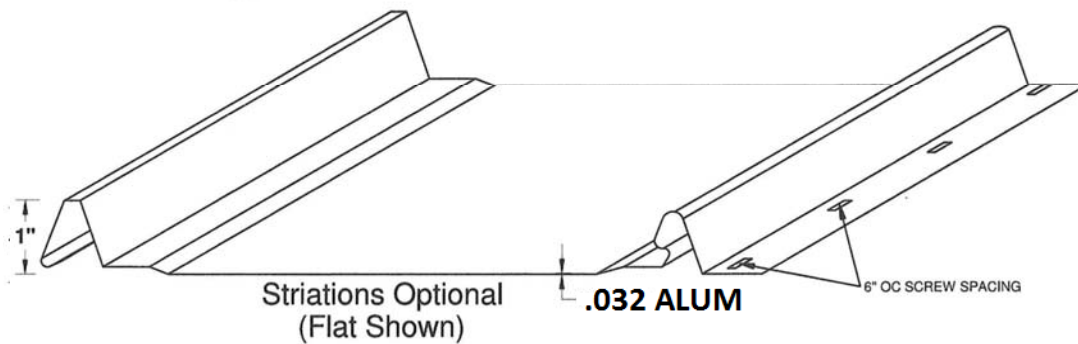
Design Procedure: Based on the dimensions of the structure, applicable wind loads are determined using Chapter 16 of the Florida Building Code 2017 for roof cladding wind loads. These component wind loads for roof cladding are compared to the allowable pressure listed above. The design professional shall select the applicable erection details to reference in drawings for correct fastener attachment to his structure and analyze the panel fasteners for pullout and pullover. Support framing must be compliant with Florida Building Code 2017 Chapter 22 for steel, Chapter 23 for wood and Chapter 16 for structural loading. Required wind loads shall be determined per project per FBC 2017 and any rational analysis computation shall be prepared by a licensed design professional.

ECONO SERIES (.032 ALUM CLIPLESS 1.0 NAIL STRIP)

INSTALL DETAILS

Fastener: # 10 Pancake Head Wood Fastener

Sunlast Econo 1" Clipless PANEL PROFILE



Sunlast Econo 1" Clipless PANEL PROFILE

