

Evaluation Report "Englert® Series 2500" Metal Roof Assembly

Manufacturer:

Englert, Inc.

1200 Amboy Avenue
Perth Amboy, NJ 08862
(732) 826-8614

for

Florida Product Approval

FL 11752.3 R3

Florida Building Code 6th Edition (2017)

Method: 1 - D

Category: Roofing

Sub - Category: Metal Roofing

Product: "Series 2500" Roof Panel

Material: Aluminum

Panel Thickness: 0.040"

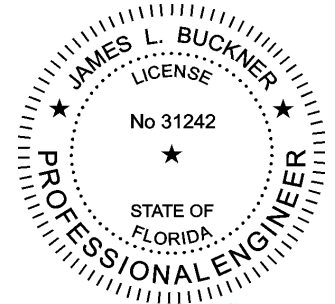
Panel Width: 16"

Support: Wood Deck

Prepared by:

James L. Buckner, P.E., SECB
Florida Professional Engineer # 31242
Florida Evaluation ANE ID: 1916
Project Manager: Diana Galloway
Report No. 17-135-S2500-A4W-ER
(Revises 15-126-S2500-A4W-ER, FL11752.3 R2)
Date: 9 / 16 / 17

Facsimile of digital copy signed by
James L. Buckner, P.E.
Electronically signed and sealed documents shall
comply with the provisions of FAC Rule 61G15-23.



A handwritten signature in blue ink, appearing to read "James L. Buckner".

2017.10.11 13:33:36 -04'00'

Contents:

Evaluation Report Pages 1 – 8

Manufacturer:	Englert, Inc. 1200 Amboy Avenue Perth Amboy, NJ 08862 (732) 826-8614 http://www.englertinc.com/
Product Name:	"Series 2500"
Product Category:	Roofing
Product Sub-Category	Metal Roofing
Compliance Method:	State Product Approval Rule 9N-3.005 (1) (d)
Product/System Description:	"Series 2500" Roof Panel 0.040" Aluminum standing seam roof panel mechanically attached to Wood Deck with panel clips & screws.
Product Assembly as Evaluated:	Refer to Page 4 of this report for product assembly components/materials & standards: <ol style="list-style-type: none">1. Roof Panel2. Panel Clip3. Fasteners4. Underlayment5. Insulation (Optional)
Support:	Type: Wood Deck (Design of support s outside the scope of this evaluation.) Description: <ul style="list-style-type: none">• 19/32" or greater plywood,• or Wood plank (min. specific gravity of 0.42)
Slope:	Minimum slope shall be: 1/2 : 12 or greater In compliance with FBC Chapter 15 based on the type of roof covering, applicable code sections and in accordance with manufacturer's recommendations.
Performance:	Wind Uplift Resistance: <ul style="list-style-type: none">• Design Uplift Pressure: (Refer to "Table A" attachment details herein) METHOD 1: - 86 PSF METHOD 2: - 122 PSF

Performance

Standards:

The product described herein has demonstrated compliance with:

- UL580-06 – *Test for Uplift Resistance of Roof Assemblies*
- UL 1897-12 – *Uplift test for roof covering systems*
- TAS 125-03 – *Standard Requirements for Metal Roofing Systems*

Standards Equivalency:

The UL 580-94 & UL 1897-98 standard version used to test the evaluated product assembly is equivalent with the prescribed standards in UL 580-06 & UL 1897-12 adopted by the Florida Building Code 6th Edition (2017).

Code Compliance:

The product(s) described herein have demonstrated compliance with the performance standards listed above as referenced in the current Florida Building Code.

**Evaluation Report
Scope:**

This product evaluation is limited to compliance with the structural requirements of the Florida Building Code, as related to the scope section to Florida Product Approval Rule 9N-3.001.

**Limitations and
Conditions of Use:**

- Scope of “Limitations and Conditions of Use” for this evaluation:
This evaluation report for “Optional Statewide Approval” contains technical documentation, specifications and installation method(s) which include “Limitations and Conditions of Use” throughout the report in accordance with Rule 9N-3.005. Per Rule 9N-3.004, the Florida Building Commission is the authority to approve products under “Optional Statewide Approval”.
- Option for application outside “Limitations and Conditions of Use”
Rule 9N-3.005(1)(e) allows engineering analysis for “project specific approval by the local authorities having jurisdiction in accordance with the alternate methods and materials authorized in the Code”. Any modification of the product as evaluated in this report and approved by the Florida Building Commission is outside the scope of this evaluation and will be the responsibility of others.
- Design of support system is outside the scope of this report.
- Fire Classification is outside the scope of Rule 9N-3, and is therefore not included in this evaluation.
- This evaluation report does not evaluate the use of this product for use in the High Velocity Hurricane Zone code section. (Dade & Broward Counties)

Quality Assurance:

The manufacturer has demonstrated compliance of roof panel products in accordance with the Florida Building Code and Rule 9N-3.0005 (3) for manufacturing under a quality assurance program audited by an approved quality assurance entity through Keystone Certifications, Inc. (FBC Organization ID# QUA 1824).

**Components/Materials
(by Manufacturer):**

Roof Panel: Englert Series 2500
Material: Aluminum
Thickness: 0.040" (min.)
Panel Widths: 16" (max.) Coverage
Rib Height: 2"
Alloy Type: 3105-H14
Corrosion Resistance: Per FBC Section 1507.4.3

Roof Panel Clips:

Product Name: Englert "Series 2500 Floating Clip"
Englert Part #: Clip Top: 05082H
Clip Base: 05082I
Type: Two-piece, floating clip
Material: Galvanized Steel
Thickness: Clip Top: 24 Gauge Stainless Steel
Clip Base: 18 Gauge Galvanized Steel
Yield Strength: 40 ksi min.
Dimensions: Clip Top: 2-1/4" x 6"
Clip Base: 1-1/4" x 3-5/8"
Corrosion Resistance: Per FBC Section 1506.7

Fastener:

Type: Pancake-Head Self-Drilling Screw
Size : #10
Corrosion Resistance: Per FBC Section 1506.6 and 1507.4.4
Standard: Per ANSI/ASME B18.6.1

**Components &
Materials:
(by Others)**

Underlayment:

Material and application shall be in compliance with FBC Section 1507.1.1 and in accordance with applicable code sections and manufacturer's recommendations.

Insulation (Optional):

Type: Rigid Insulation Board
Thickness: 3" (max.)
Properties:
Density: 2.25 pcf (lbs/ft³) min.
Or Compressive Strength: 20 psi min.

Insulation Notes:

- Rigid Insulation shall meet minimum density OR compressive strength.
- Insulation shall comply with FBC Section 1508. When insulation is incorporated, fastener length shall conform to penetrate thru bottom of support a minimum of 3/16".

Installation:

Installation Method:

(Refer to "TABLE A" below and drawings at the end of this report.)

- Clip Spacing: **Refer to "TABLE A" Below**
(along the length of the panel)
- Two (2) fasteners per Clip
- Rib Interlock: Mechanically seamed 180° (DOUBLE-LOCK)
- Minimum fastener penetration thru bottom of support, 3/16".
- For panel construction at the end of panels, refer to manufacturer's instructions and any site specific design.

TABLE "A" ALLOWABLE LOADS		
	METHOD 1	METHOD 2
Design Pressure:	- 86 PSF	- 122 PSF
Clip Spacing:	18"	12"
# of Fasteners per Clip:	2	2
Panel Seam:	180°	180°
Notes: <ul style="list-style-type: none">• Allowable design pressure(s) for allowable stress design (ASD).		

Install the "Series 2500" roof panel assembly in compliance with the installation method listed in this report and applicable code sections of FBC 6th Edition (2017). The installation method described herein is in accordance with the scope of this evaluation report. Refer to manufacturer's installation instructions as a supplemental guide for attachment.

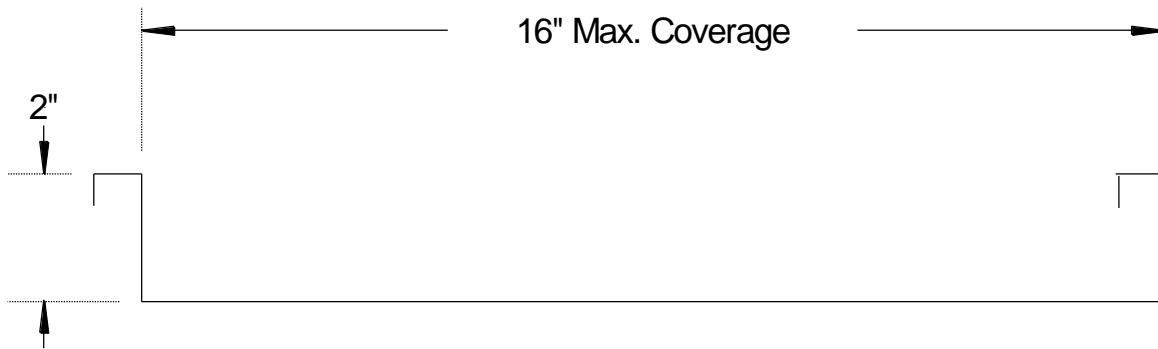
Referenced Data:

1. TAS 125 Uplift Test
By Hurricane Test Laboratory, LLC (FBC Organization ID# TST 1527)
Report #0155-0916-04, Sp #3 Date: 2/15/05
2. TAS 125 Uplift Test
By Hurricane Test Laboratory, LLC (FBC Organization ID# TST 1527)
Report #0155-0916-04, Sp #1 Date: 11/14/05
3. Quality Assurance
Keystone Certifications, Inc. (FBC Organization ID# QUA 1824)
Englert, Inc. Licensee #420
4. Equivalency of Test Standard Certification
By James L. Buckner, P.E. @ CBUCK Engineering
(FBC Organization # ANE 1916)
5. Certification of Independence
By James L. Buckner, P.E. @ CBUCK Engineering
(FBC Organization # ANE 1916)
6. Engineering Analysis
By CBUCK Engineering

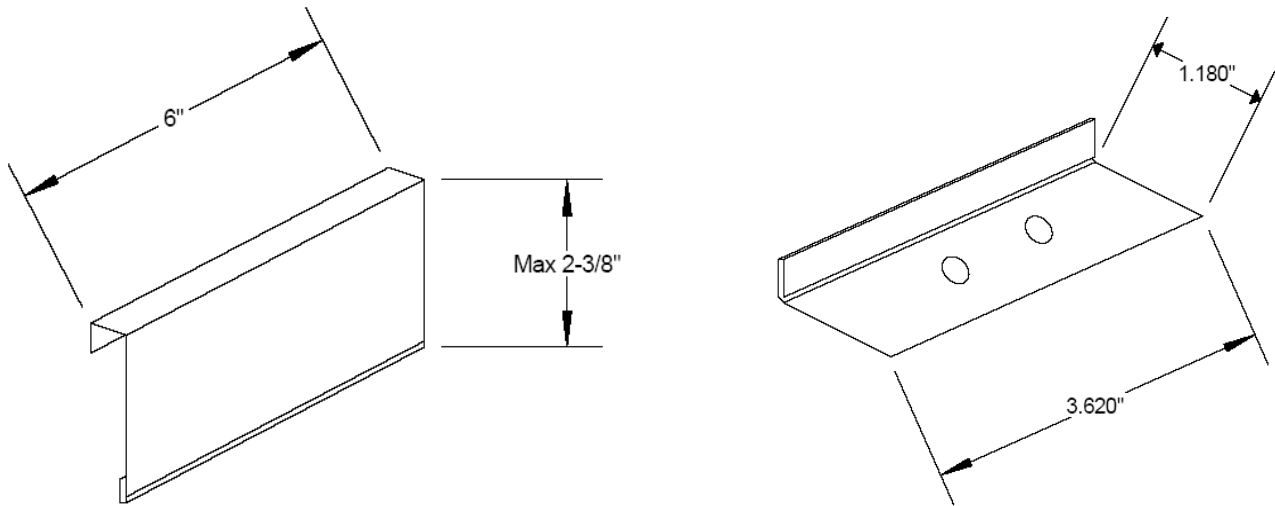
**Installation Method
Englert, Inc.**

“Series 2500” (0.040” Aluminum) Roof Panel attached to Wood Deck

Drawings



Typical Panel Profile



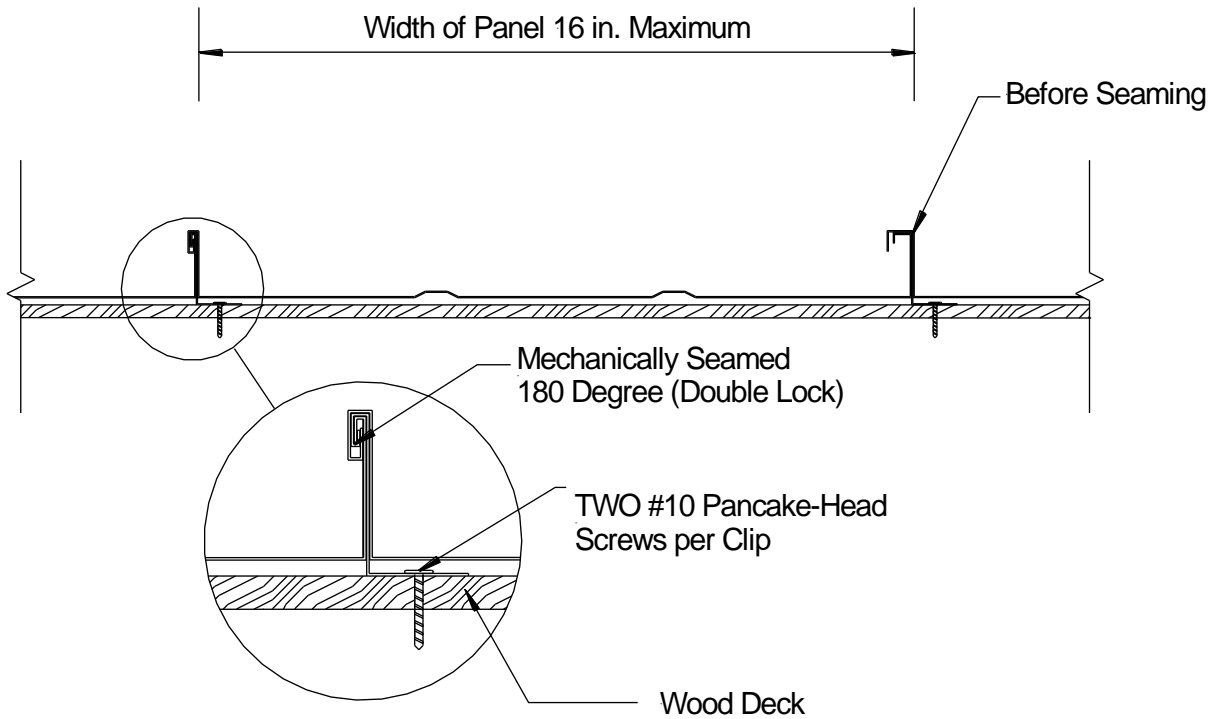
Panel Clip Profile

**Englert “Series 2500 Floating Clip” (Top & Base)
(Part # 05082H & 05082I)**

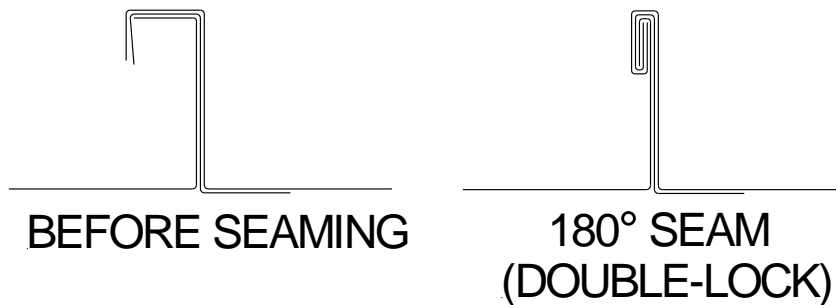
Installation Method

Englert, Inc.

"Series 2500" (0.040" Aluminum) Roof Panel attached to Wood Deck

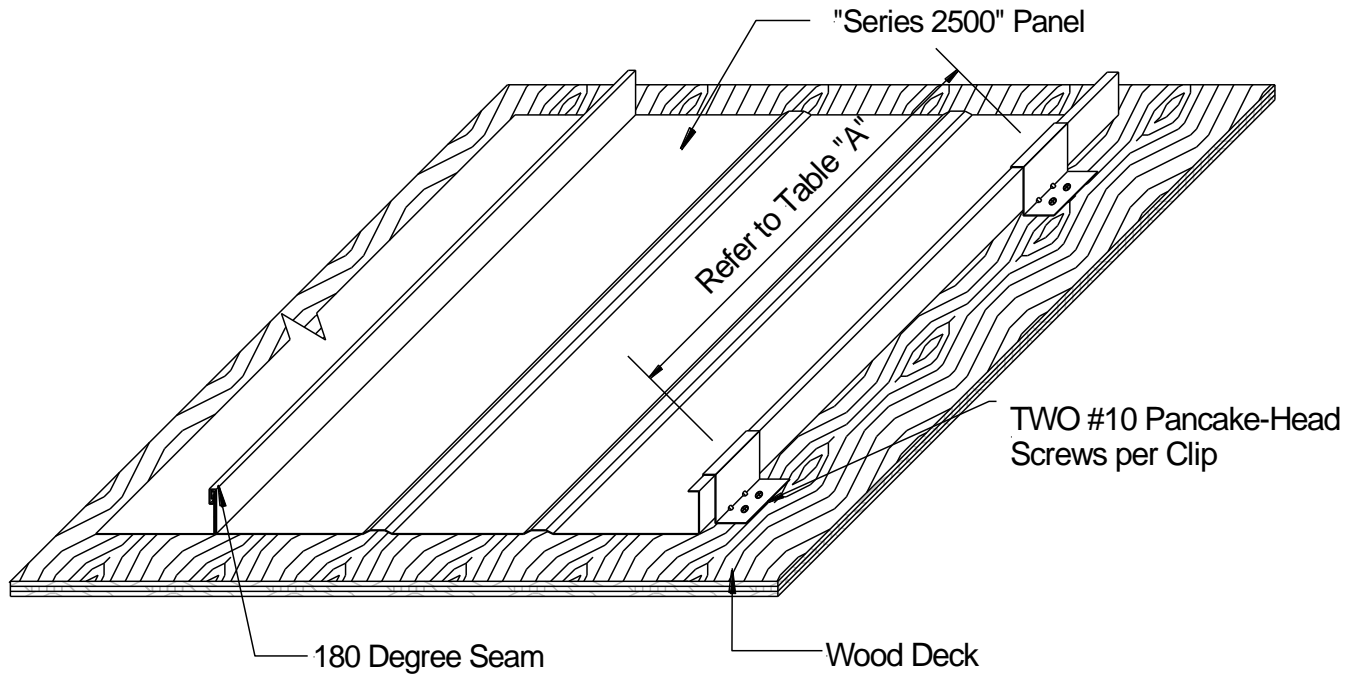


**Typical Assembly Profile View
(Typical Fastening Pattern Across Width)**



Typical Panel Seams

Installation Method Englert, Inc. "Series 2500" (0.040" Aluminum) Roof Panel attached to Wood Deck



**Typical Roof Assembly
 Isometric View**

(Optional) Rigid Insulation Board per Page 4 of this report

TABLE "A"		
	METHOD 1	METHOD 2
Design Pressure:	- 86 PSF	- 122 PSF
Clip Spacing:	18"	12"
# of Fasteners per Clip:	2	2
Panel Seam:	180°	180°